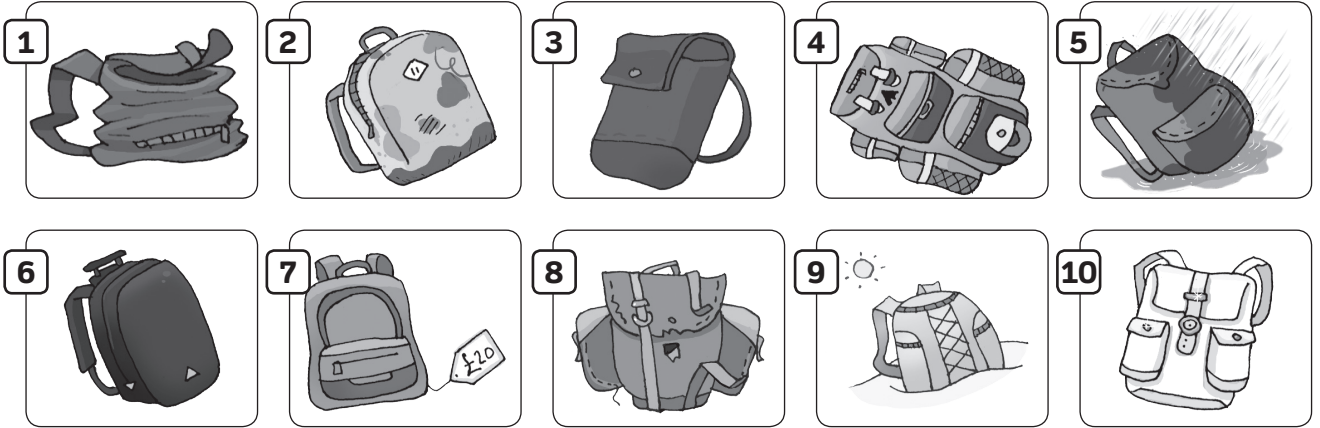


1 Look and write.

dry wet dirty plain hard
clean new fancy soft old



11
↓

1	s	o	f	t
		u		
2				
3				
4				
5				
		6	h	
7				
			f	
		8		
9				
10				
			s	
			t	



Solve

11 Where are the children? _____

1 Colour. Then order and write.

1 orange

2 green

3 yellow

4 grey

5 blue

6 red

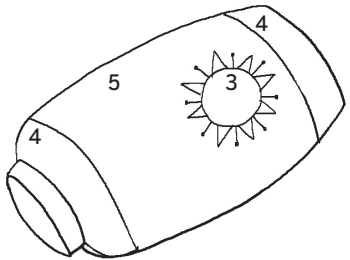
7 black

8 brown

9 purple

10 pink

1 u s n r

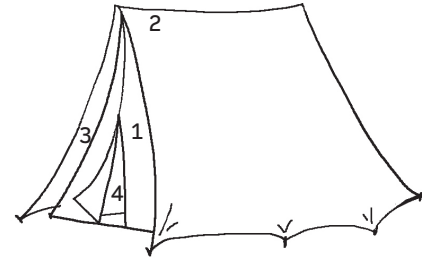


e c e n

s n

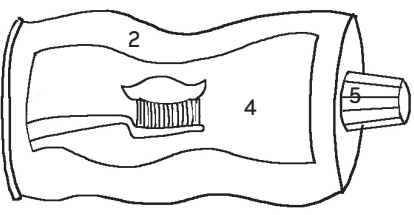
sunscreen

2 e t n t



c e n

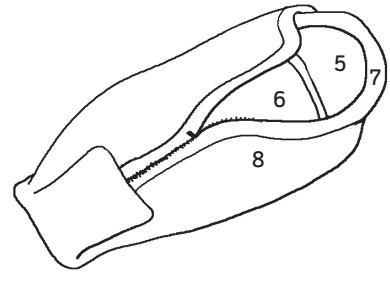
3 h t o p



a s e t

o e t

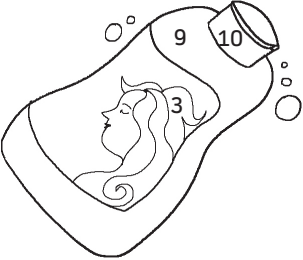
4 g e s l e p



g n i a

b a

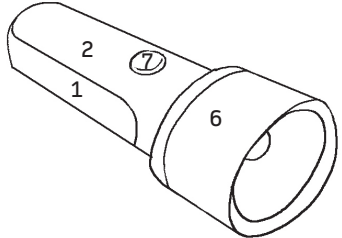
5 m o s



p h o

a o

6 h t c



r o